

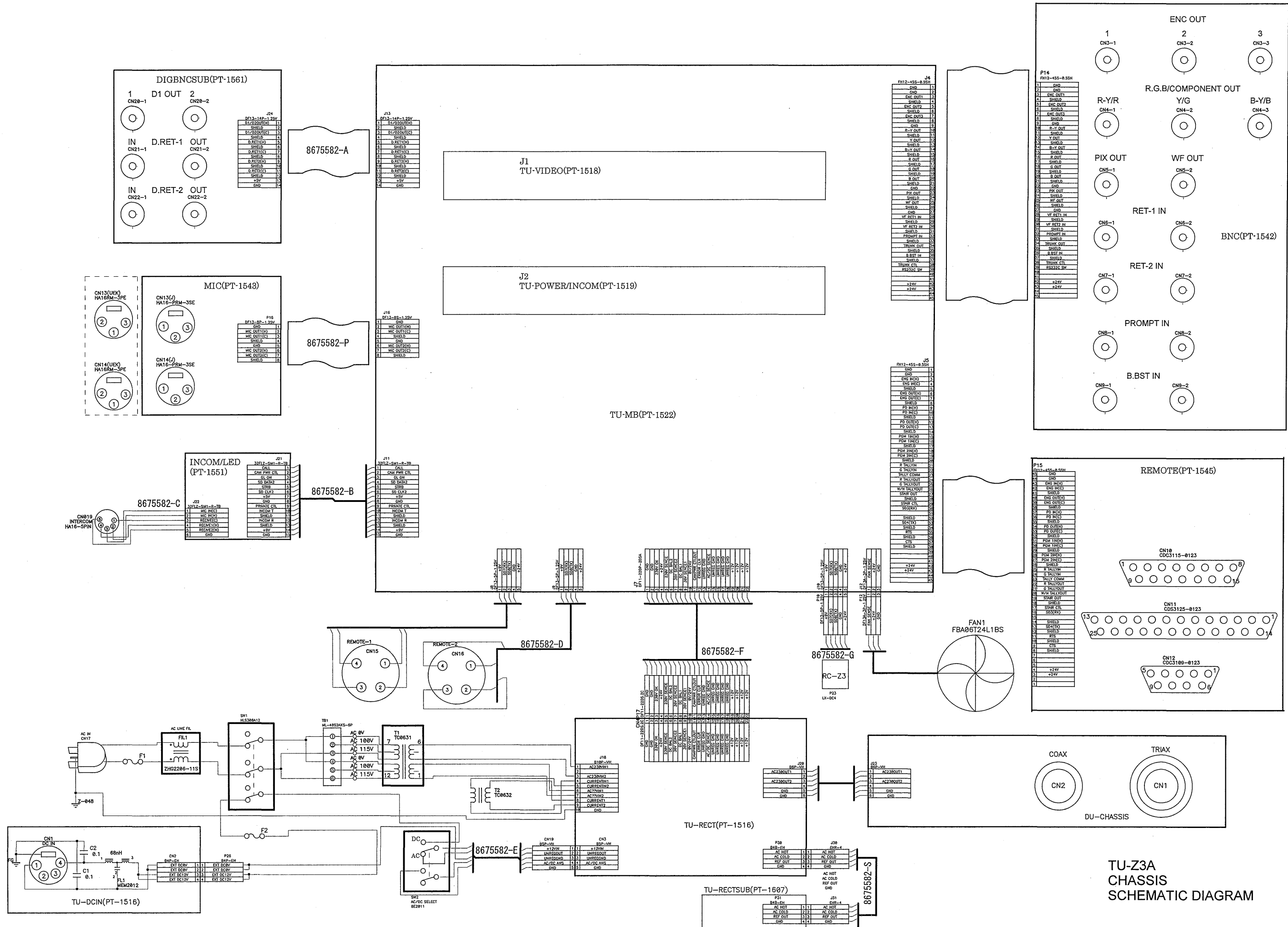
6. SCHEMATIC DIAGRAMS

1. TU-Z3A

CHASSIS	6-1-1
TU-MB unit	6-1-3
TU-VIDEO unit	6-1-5
MEMORY unit	6-1-21
TU-PWR/INCOM unit	
POWER	6-1-23
INCOM	6-1-27
DU-MOD/DEM unit	6-1-37
TU-RECT unit	6-1-47
TU-RECT SUB unit	6-1-49
INCOM/LED unit	6-1-51
MIC unit	6-1-53
REMOTE unit	6-1-55
TU-BNC unit	6-1-57
D1 DIGITAL unit [OPTION]	6-1-57
DIGBNC SUB unit [OPTION] ..	6-1-63
DIGBNC unit [OPTION]	6-1-65

2. CX-Z3A

CX-CHASSIS	6-2-1
CX-MB unit	6-2-3
MU-DIGITAL unit	6-2-5
CX-INT unit	6-2-15
MU-MOD unit	6-2-21
MU-DEM unit	6-2-27
MU-POWER unit	6-2-33
MU-PWR SUB unit	6-2-35
MU-REG unit	6-2-37



DIGITAL IN/OUT
J13 DF13-14P-12.5V

D1/D2 OUT(H)	1	U1-31
SHIELD	2	U1-32
D1/D2 OUT(C)	3	U1-33
SHIELD	4	U1-34
D.RET1(H)	5	U1-35
SHIELD	6	U1-36
D.RET1(C)	7	U1-37
SHIELD	8	U1-38
D.RET2(H)	9	U1-39
SHIELD	10	U1-40
D.RET2(C)	11	U1-41
SHIELD	12	U1-42
+5V	13	D-+5V
GND	14	GND

MIC OUT
J8 DF13-8P-1.25V

GND	1	U2-39
MIC1 OUT(H)	2	U2-40
MIC1 OUT(C)	3	U2-41
SHIELD	4	U2-42
GND	5	U2-43
MIC2 OUT(H)	6	U2-44
MIC2 OUT(C)	7	U2-45
SHIELD	8	U2-46

FRONT
J11 DF13-15P-12.5V

CALL	1	U1-53
CAMPWR CTLIN	2	U1-54
GL ON	3	U1-55
SD DATA2	4	U1-56
LED STRB	5	U1-57
SD CLK2	6	U1-58
+5V	7	D-+5V
GND	8	GND
PRIVATE CTL	9	U2-75
INCOM T	10	U2-76
SHIELD	11	U2-77
INCOM R	12	U2-78
SHIELD	13	U2-79
+9V	14	D-+9V
GND	15	GND

REMOTE-1
J8 DF13-5P-1.25V

+9V	1	U1-67
SD1 (RX)	2	U1-68
SD2 (TX)	3	U1-69
GND	4	U1-70
+24V	5	U1-71

REMOTE-2
DF13-5P-1.25V J9

+9V	1	U1-72
+24V	2	U1-73
+24V	3	U1-74
+24V	4	U1-75
+24V	5	U1-76

RECT DF11-22

2	GND	1	GND
4	+24V	3	238V OK
6	DC BAL2	5	238V SENCE
8	DC BAL1	7	38V SENCE
10	0/24V	9	36V SENCE1
12	ERROR CLR	11	C.PWR CTLO
14	AC/DC SENCE	13	UNREG GND
16	UNREG GND	15	UNREG GND
18	UNREG GND	17	UNREG GND
20	+12V	19	+12V
22	+12V	21	+12V

MOD/DEM

U1-45	R73 1	2 600	1	GL PLL
U1-46	R72 1	2 600	2	Y RF LEVEL
U1-23	R80 1	2 600	3	Y VIDEO
U1-25	R63 1	2 600	4	P8P7 VIDEO
U1-48	R71 1	2 600	5	CAM VDN
U1-47	R70 1	2 600	6	CAM HDN
U2-34	R50	0	7	RF2 SHIELD
U2-32	R50	0	8	RF2
U2-30	R50	0	9	RF2 SHIELD
U1-183	R67 1	2 600	10	RET IN
U4-32	R53 1	2 600	11	PROMPT IN
U4-34	R55 1	2 600	12	TRUNK OUT
A-5V			13	-5V
A+5V			14	+5V
			15	GND
			16	GND
			17	Y RF OK
U1-49	R64 1	2 600	18	SHIELD
U1-24	R61 1	2 600	19	SHIELD
U1-26	R62 1	2 600	20	ATT ON
U1-51	R65 1	2 600	21	CAM SC
U1-50	R66 1	2 600	22	RF2 SHIELD
			23	RF2 SHIELD
U1-104	R68 1	2 600	24	RF2 SHIELD
U4-33	R54 1	2 600	25	SHIELD
U4-35	R56 1	2 600	26	SHIELD
U1-52	R69 1	2 600	27	TRUNK CTL
+9V			28	+9V
			29	+5V
			30	GND

RC-Z3
DF13-5P-1.25V J10

1	+9V	U1-68
2	SD7 (RX)	U1-69
3	SD8 (TX)	U1-70
4	GND	U1-71
5	+24V	U1-72

FAN
DF13-3P-1.25V J12

1	FAN SENCE	U1-66
2	+24V	U1-67
3	GND	U1-68

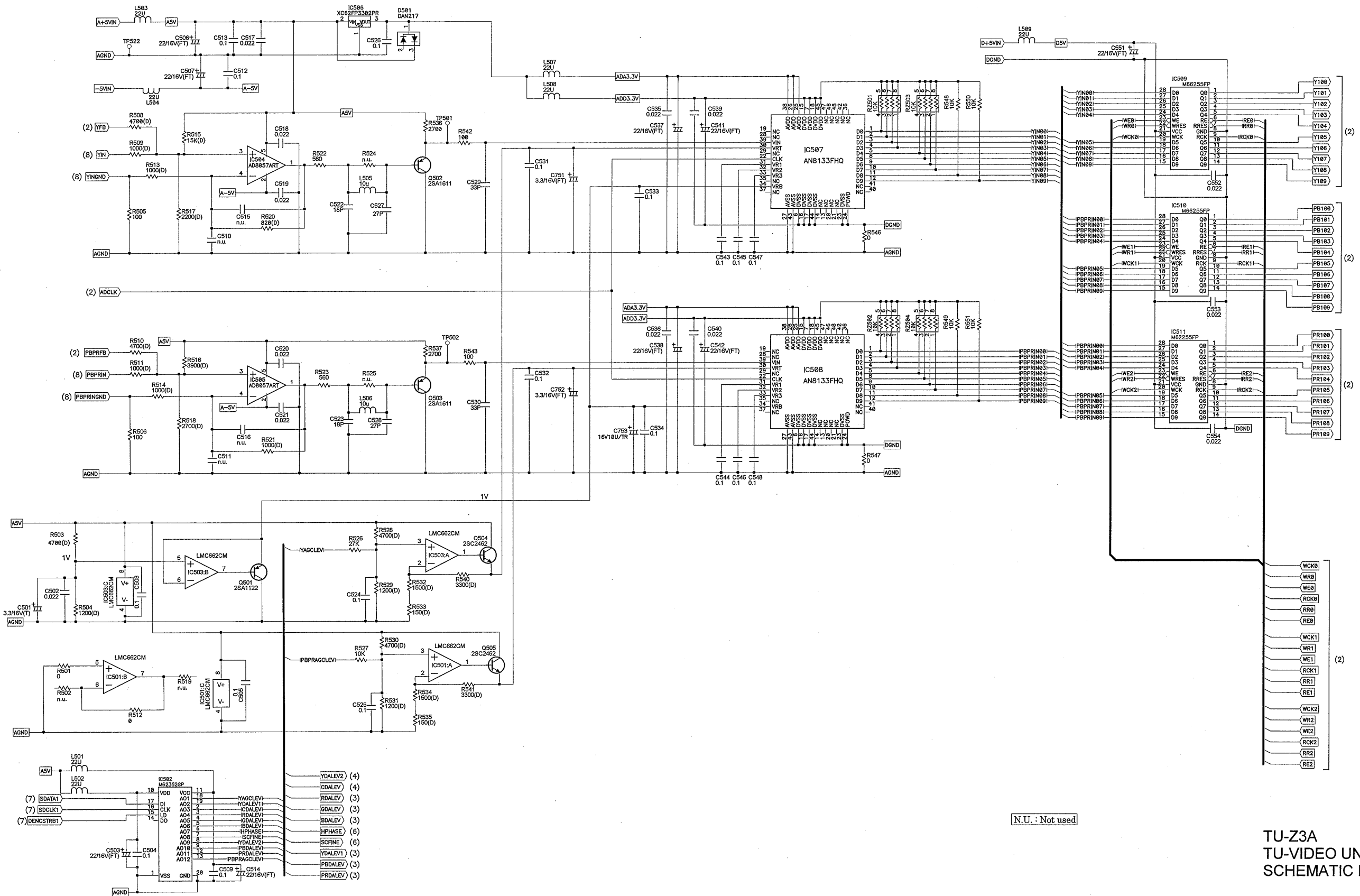
A.VIDEO IN/OUT
J4 FH12-45S-0.5SH

1	GND	U1-107
2	GND	U1-108
3	ENCR OUT1	U1-109
4	SHIELD	U1-110
5	ENCR OUT2	U1-111
6	SHIELD	U1-112
7	ENCR OUT3	U1-113
8	SHIELD	U1-114
9	GND	U1-115
10	R-Y OUT	U1-116
11	SHIELD	U1-117
12	Y OUT	U1-118
13	SHIELD	U1-119
14	B-Y OUT	U1-120
15	SHIELD	U1-121
16	R OUT	U1-122
17	SHIELD	U1-123
18	G OUT	U1-124
19	SHIELD	U1-125
20	B OUT	U1-126
21	SHIELD	U1-127
22	GND	U1-128
23	PIX OUT	U1-129
24	SHIELD	U1-130
25	WF OUT	U1-131
26	SHIELD	U1-132
27	GND	U1-133
28	VF RET1 IN	U1-134
29	SHIELD	U1-135
30	VF RET2 IN	U1-136
31	SHIELD	U1-137
32	PROMPT IN	U1-138
33	SHIELD	U1-139
34	TRUNK OUT	U1-140
35	SHIELD	U1-141
36	B.BST IN	U1-142
37	SHIELD	U1-143
38	TRUNK CTL	U1-144
39	RS232C-SW	U1-145
40		U1-146
41		U1-147
42	+24V	U1-148
43	+24V	U1-149
44		U1-150
45		U1-151

COMMUNICATION
J5 FH12-45S-0.5SH

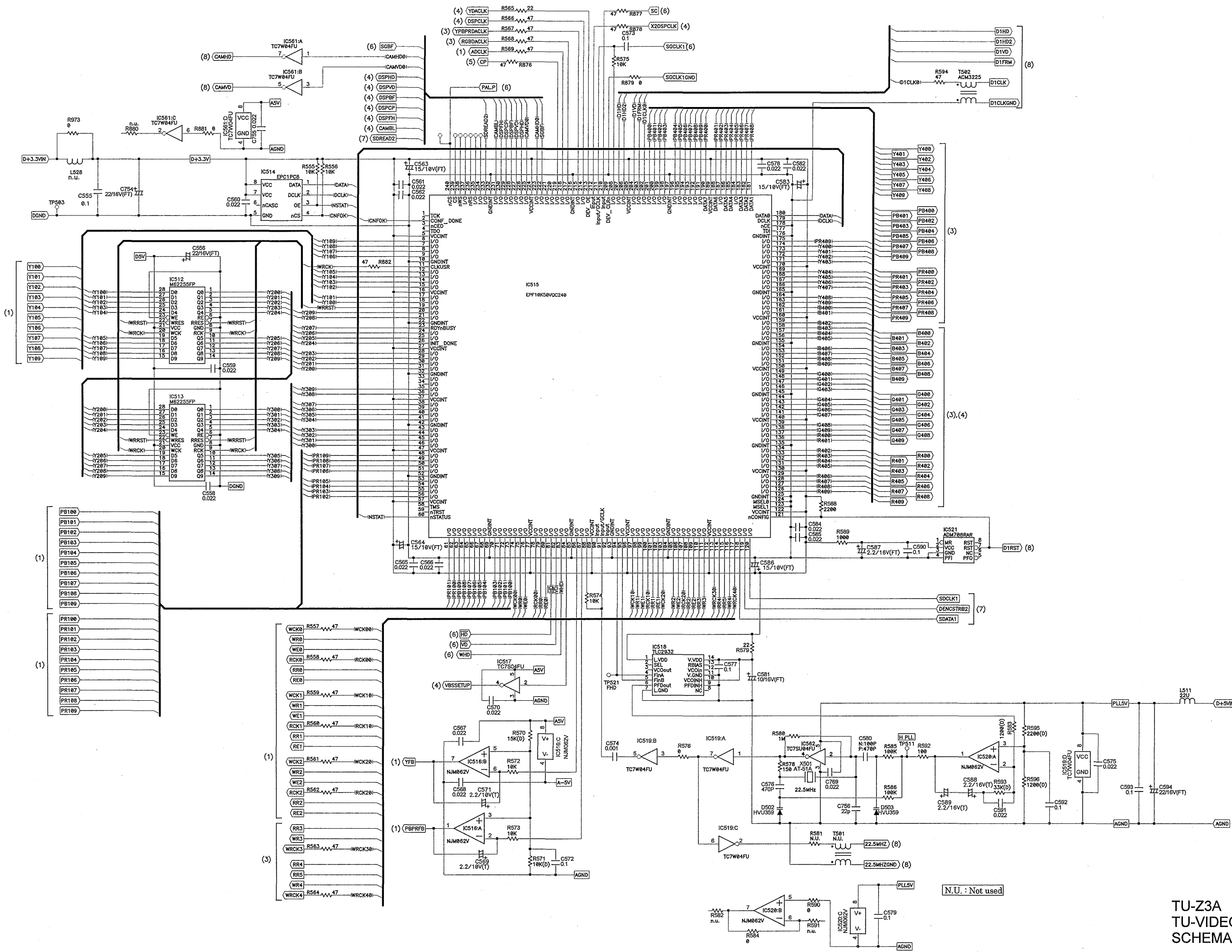
1	GND	U2-53
2	GND	U2-54
3	ENG IN(H)	U2-55
4	ENG IN(C)	U2-56
5	SHIELD	U2-57
6	ENG OUT(H)	U2-58
7	ENG OUT(C)	U2-59
8	SHIELD	U2-60
9	PD IN(H)	U2-61
10	PD IN(C)	U2-62
11	SHIELD	U2-63
12	PD OUT(H)	U2-64
13	PD OUT(C)	U2-65
14	SHIELD	U2-66
15	PGM1 IN(H)	U2-67
16	PGM1 IN(C)	U2-68
17	SHIELD	U2-69
18	PGM2 IN(H)	U2-70
19	PGM2 IN(C)	U2-71
20	SHIELD	U2-72
21	R.TALLY IN	U1-57
22	G.TALLY IN	U1-59
23	TALLY COMM	U1-61
24	R.TALLY OUT	U1-58
25	G.TALLY OUT	U1-60
26	W/N TALLY OUT	U1-62
27	STAR OUT	U1-64
28	SHIELD	U1-63
29	STAR CTL	U1-65
30	SD3	U1-69
31	SD4	U1-71
32	SHIELD	U1-70
33	SD4	U1-72
34	SHIELD	U1-73
35	RTS	U1-75
36	SHIELD	U1-74
37	CTS	U1-76
38	SHIELD	U1-77
39		U1-78
40		U1-79
41		U1-80
42	+24V	U1-81
43	+24V	U1-82
44		U1-83
45		U1-84

TU-Z3A
TU-MB UNIT
SCHEMATIC DIAGRAM

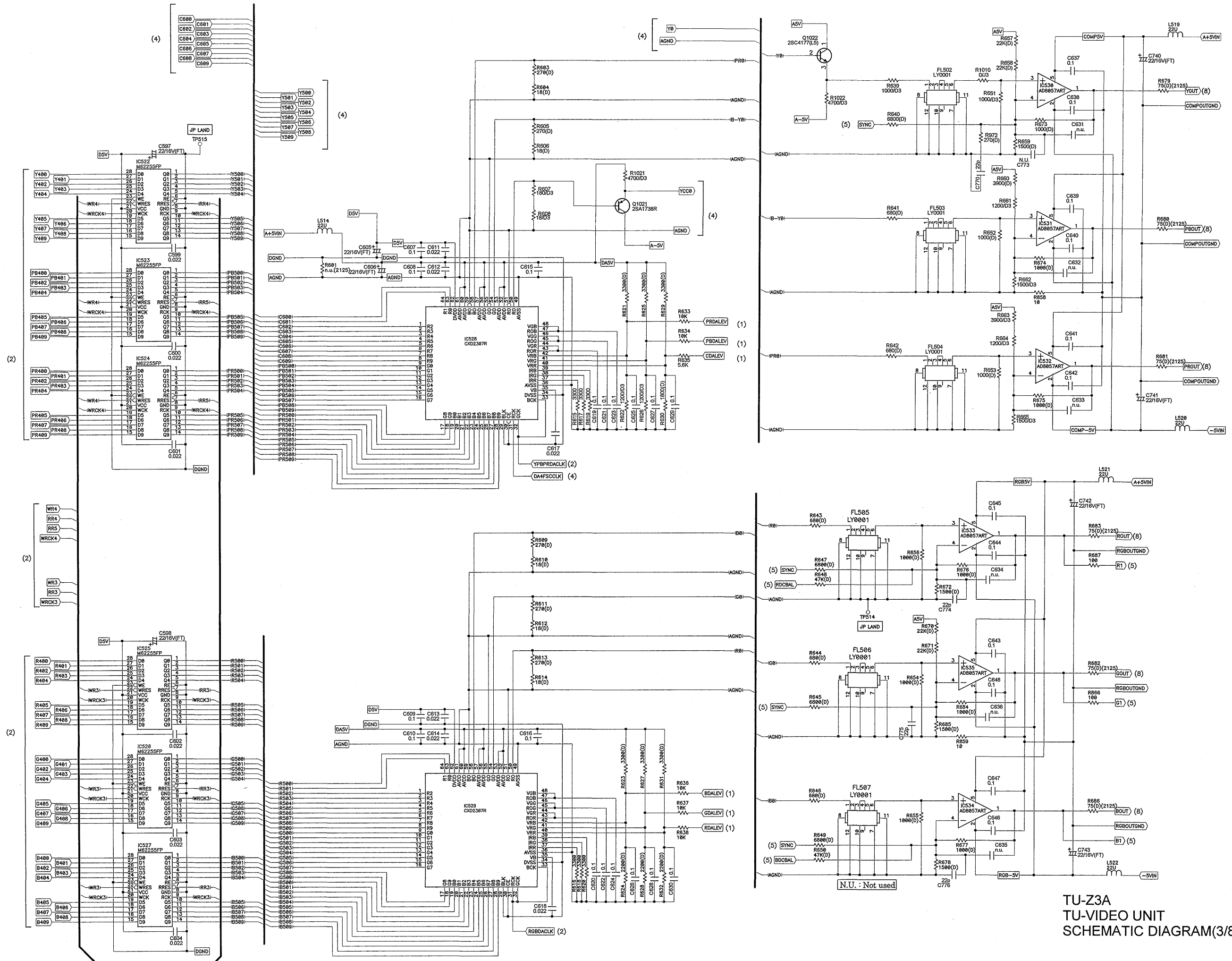


N.U. : Not used

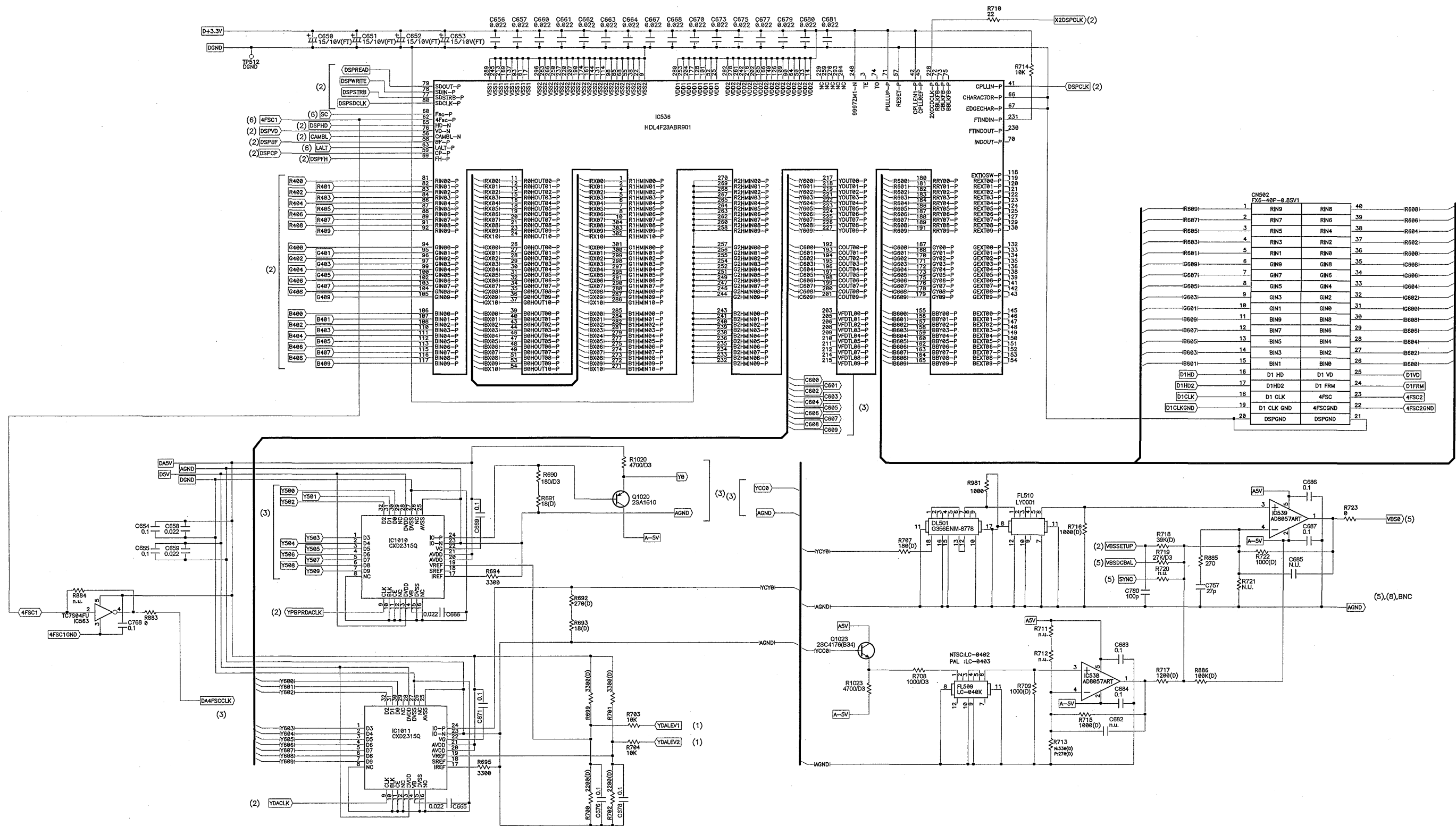
TU-Z3A
TU-VIDEO UNIT
SCHEMATIC DIAGRAM(1/8)



TU-Z3A
TU-VIDEO UNIT
SCHEMATIC DIAGRAM(2/8)



TU-Z3A
TU-VIDEO UNIT
SCHEMATIC DIAGRAM(3/8)



R696,R697,R698 -> Del.
C672,C674 -> Del.

N.U. : Not used

TU-3A
TU-VIDEO UNIT
SCHEMATIC DIAGRAM(4/8)